

PRODUCT INFORMATION PACKET

Model No: 048A11O2017

Catalog No: X400

Condenser Fan Motor, 0.50 HP, 1 Ph, 60 Hz, 460 V, 1200 RPM, 48Y Frame, OPAO



Regal and Marathon are trademarks of Regal Rexnord Corporation or one of its affiliated companies.

©2023 Regal Rexnord Corporation, All Rights Reserved. MC017097E

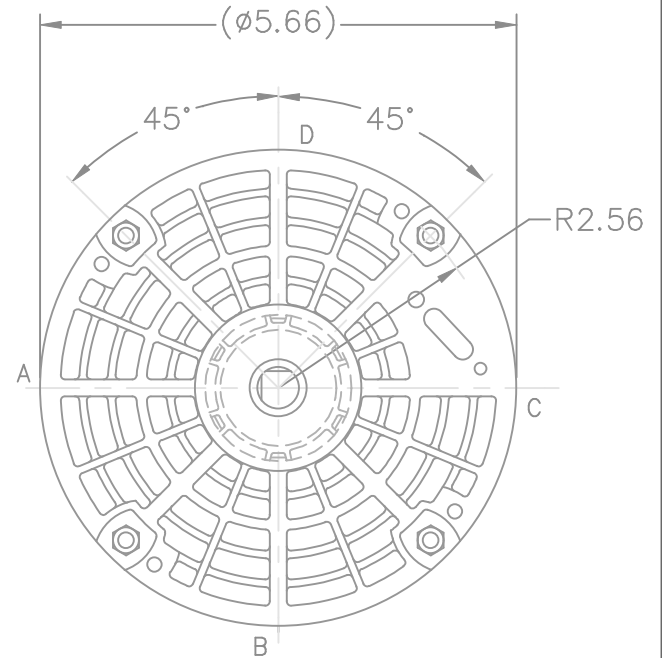
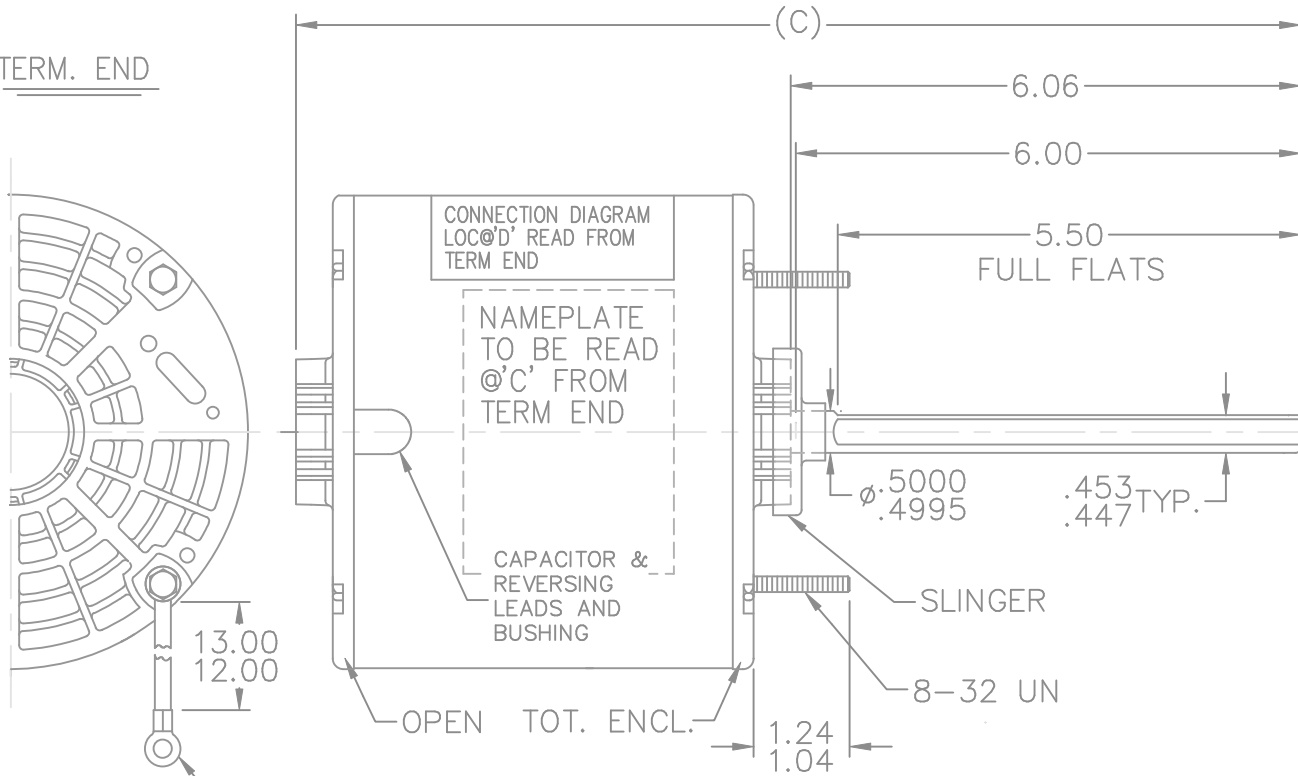
Nameplate Specifications

Output HP	0.50 Hp	Output KW	0.37 kW
Frequency	60 Hz	Voltage	460 V
Current	1.4 A	Speed	1075 rpm
Service Factor	1	Phase	1
Efficiency	62 %	Power Factor	93.3
Duty	Continuous	Insulation Class	B
Design Code	NO DESIGN CODE	KVA Code	C
Frame	48Y	Enclosure	Open Air Over
Thermal Protection	Automatic	Ambient Temperature	40 °C
Drive End Bearing Size	6203	Opp Drive End Bearing Size	6203
UL	Recognized	CSA	Y
CE	N	IP Code	10
Number of Speeds	1		

Technical Specifications

Electrical Type	Permanent Split Capacitor	Starting Method	Across The Line
Poles	6	Rotation	Selective Counterclockwise
Resistance Main	0 Ohms	Mounting	Round - Extended Studs
Motor Orientation	Horizontal	Drive End Bearing	Ball
Opp Drive End Bearing	Ball	Frame Material	Rolled Steel
Shaft Type	Single Special Extension	Overall Length	11.94 in
Frame Length	4.50 in	Shaft Diameter	0.500 in
Shaft Extension	6.06 in	Assembly/Box Mounting	F1 ONLY
Outline Drawing	A-SS73949-450	Connection Drawing	6906496

TERM. END

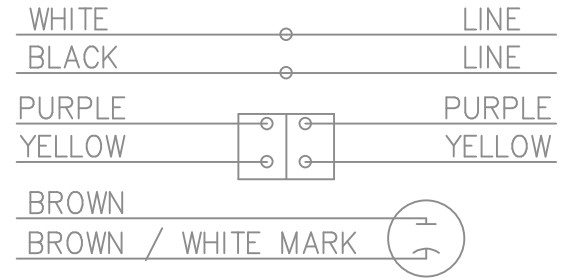


1 GREEN GRD.
W/TERM FOR
#10 SCREW

LEAD DESCRIPTION:
1 WHITE & 1 BLACK WITH .50 BARE
WIRE STRIP 30.00" LONG.

2 BROWN CAPACITOR LEADS W/.25
FLAG TYPE QUICK CONNECTS 30.00" LONG
BROWN W/WHITE MARK IS COMMON TO WHITE LEAD

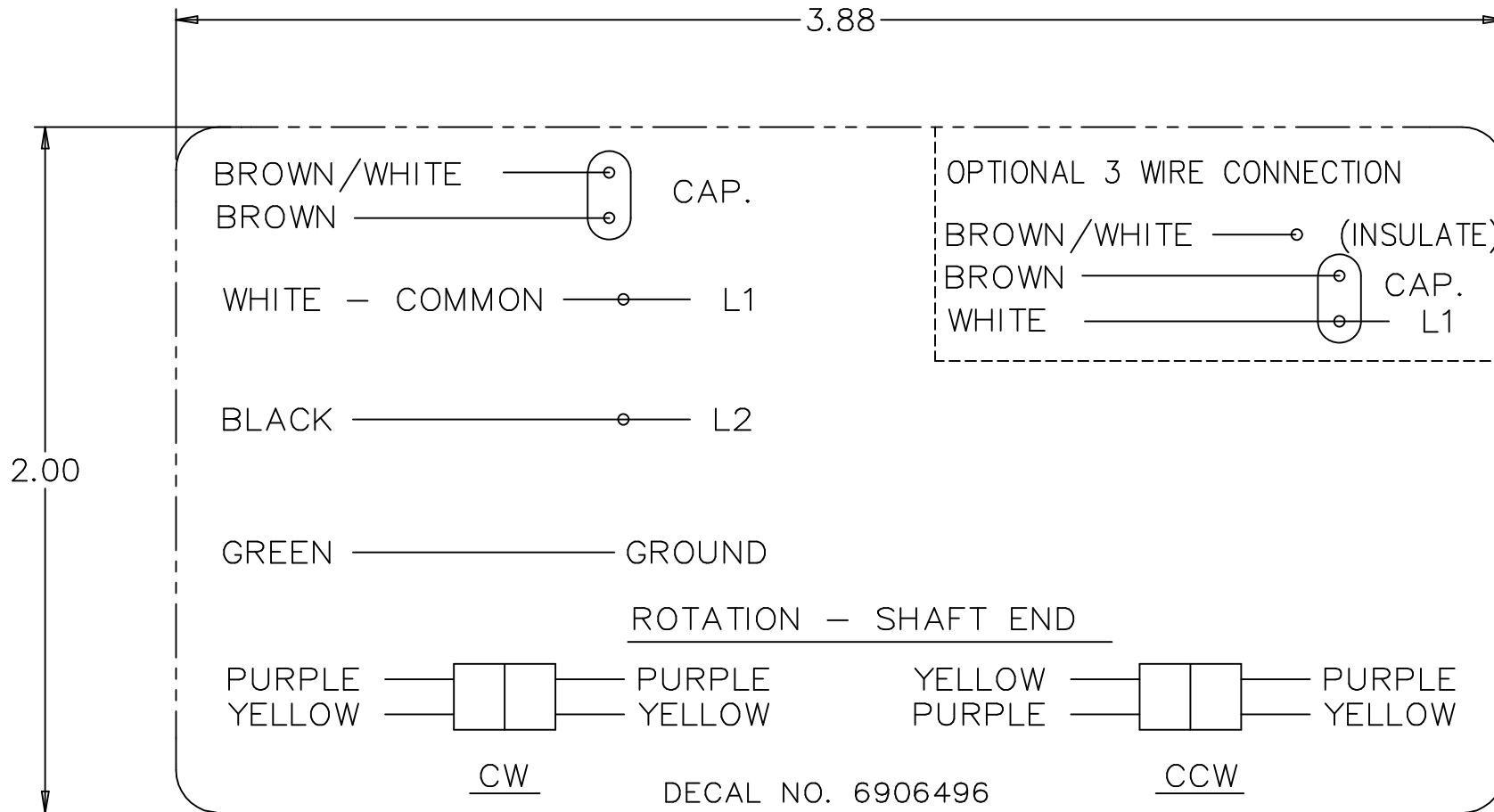
REVERSING LEADS ARE MOLDED INTO MATING PULL
APART PLUGS. ONE PURPLE AND ONE YELLOW PER
PLUG. 5.0 LONG



ROTATION: CW-SHAFT END SHOWN.
TO REVERSE, CONNECT PURPLE TO
YELLOW AND YELLOW TO PURPLE

DASH	FRAME	C
350	48Y	10.94
400	48Y	11.44
450	48Y	11.94
500	48Y	12.44
525	48Y	12.69

			TOLERANCES UNLESS SPECIFIED		MARATHON ELECTRIC	DRAWN MRB 09-13-1995			
			DEC.	INCHES		CHK DA 09-14-1995			
5	UPDATED DRAWING	TJW 04/02/2007	.X	±.1	TITLE OUTLINE 48Y FR.	APPD GK 09-14-1995			
4	REDRAWN IN AUTOCAD	TAT 07-22-2004 ML	.XX	±.03		SCALE 7=16			
3	REMOVED CONDUIT BOX, LEADS WERE 36.00-39.00 LONG. - REDRAWN ON CADD CN 21154	MRB 09-14-1995	.XXX	±.005		REF			
			.XXXX	±.0005	MAT'L.	FMF			
NO.	REVISION	BY & DATE	CHK	ANG	FINISH	PREV			
THIS DRAWING IN DESIGN AND DETAIL IS OUR PROPERTY AND MUST NOT BE USED EXCEPT IN CONNECTION WITH OUR WORK ALL RIGHTS OF DESIGN AND INVENTION ARE RESERVED THIS IS AN ELECTRONICALLY GENERATED DOCUMENT - DO NOT SCALE THIS PRINT			RFP		CAD FILE ss73949	SIZE A	DRAWING NO. SS73949	PAGE OF	REV. 5
			DIST	WP					



NO.	REVISION	BY & DATE	CHK	TOLERANCES UNLESS SPECIFIED		FINISH	DRAWN MRB 04-16-1998			
				DEC.	INCHES					
4	ADDED DIM. TO DECAL	RDH 09/22/2003	ML	.X	±.1	REGAL-BELOIT <i>Motor Technologies</i>	CHK ML 04-22-1998			
3	REMOVED 'MARATHON ELECTRIC' CN 35106	DRS 05-01-2002	TOM	.XX	±.02		TITLE CONNECTION DECAL	APPD GK 04-22-1998		
2	PART NAME WAS CONNECTION DIAGRAM CN 25669	MRB 04-23-1998		.XXX	±.005			SCALE 1=1		
1	NEW DRAWING CN 25669	MRB 04-22-1998		.XXXX	±.0005	MAT'L.	REF			
				ANG	±7'30"		FMF			
							PREV			
THIS DRAWING IN DESIGN AND DETAIL IS OUR PROPERTY AND MUST NOT BE USED EXCEPT IN CONNECTION WITH OUR WORK ALL RIGHTS OF DESIGN AND INVENTION ARE RESERVED THIS IS AN ELECTRONICALLY GENERATED DOCUMENT - DO NOT SCALE THIS PRINT			RFP	CAD FILE 6906496			SIZE A	DRAWING NO. 6906496	PAGE OF	REV. 4
			DIST WP							

